

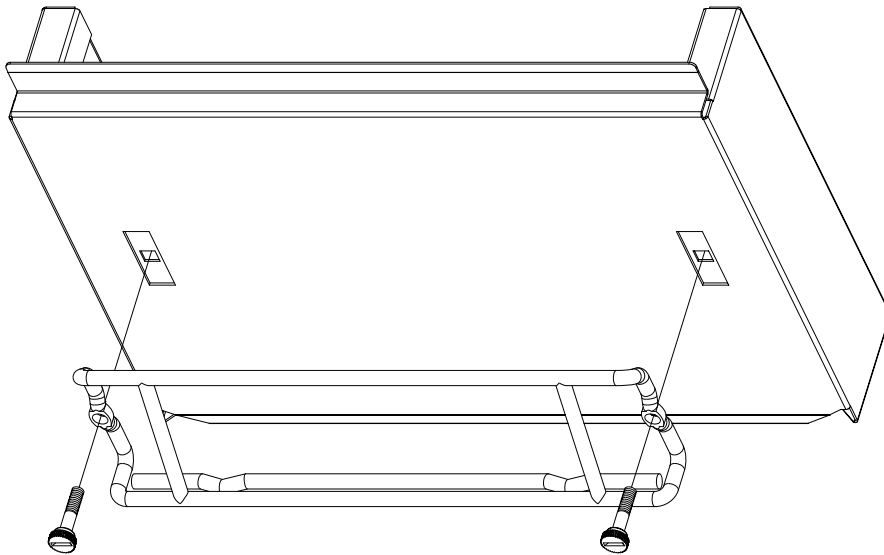
Basket Hanger Retrofit Kit

826-2785

Follow the instructions below to install the replacement basket hanger.

IN KIT 826-2785		
Quantity	Description	Part No.
823 7927	Basket Hanger	1
809 0985	Screw	2
819 6670	Instructions	1

Loosen screws and remove existing basket hanger. New screws are provided for the replacement hanger.



Attach the new hanger, as shown below, with the provided screws.

